

K e g i o m
l i f t i n g

Model 8700-E4

gru - crane - kran - grue - grúa



CE

Dimensioni Generali - General Dimensions - Dimensions Générales
Gesamtabmessungen - Dimensiones Generales

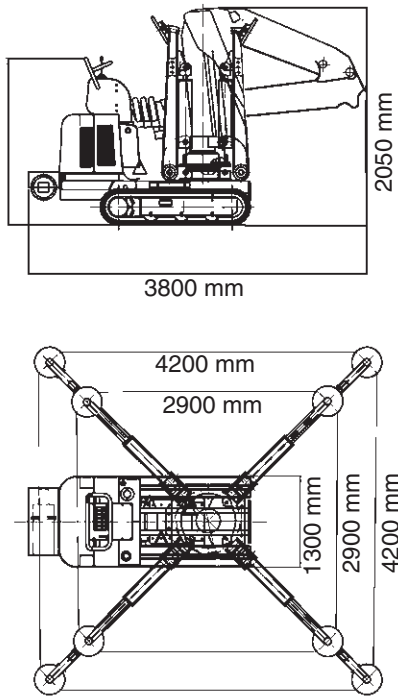


Tabella portata (stabilizzatori tutti estesi)
Lifting Capacity Chart (outriggers fully extended)
Tableau de Charge (stabilisateurs étendus max.)
Hublasttabelle (Abstützung ganz ausgefahren)
Tablero de Carga (estabilizadores a la máx extensión)

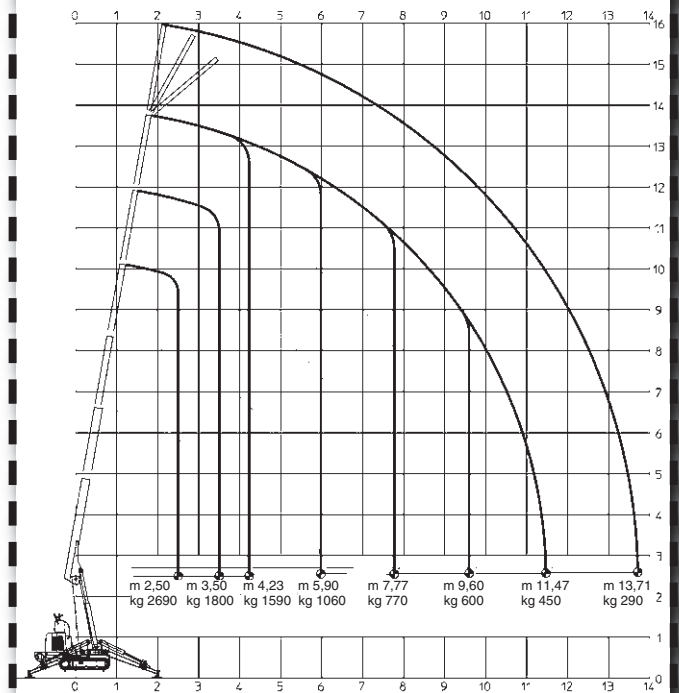
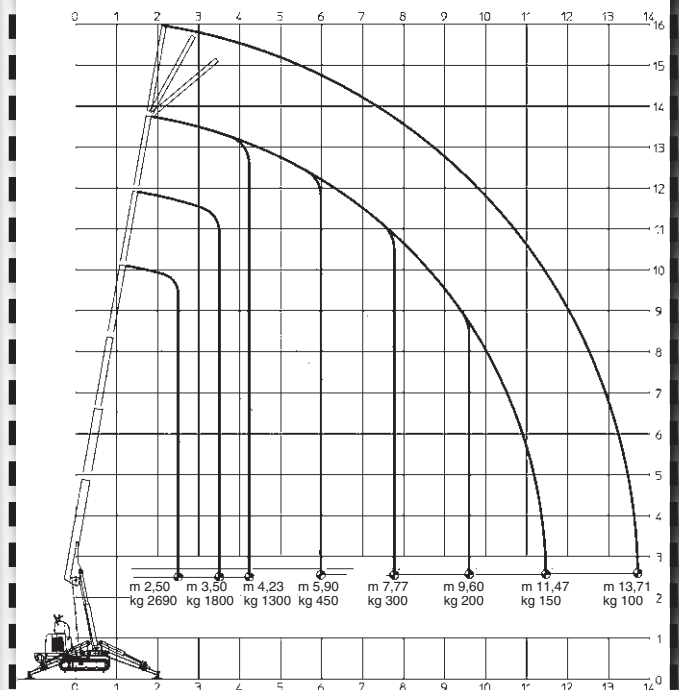
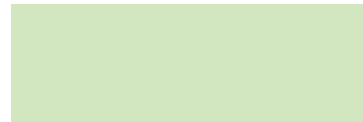


Tabella portata (stabilizzatori min. estesi)
Lifting Capacity Chart (outriggers min. extended)
Tableau de Charge (stabilisateurs étendus min.)
Hublasttabelle (Abstützung min. ausgefahren)
Tablero de Carga (estabilizadores a la min. extensión)





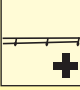
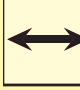




DATI TECNICI – TECHNICALS SHEETS – TECHNISCHE DATEN – CARACTERISTIQUES TECHNIQUES – DATOS TECNICOS



| | | | | | |
|------------------------------------------|----------------------------------------------|--------------------------------------------------------|---------------------------------------------------|----------------------------------------------|------------------------------------------------------------------------------|
| Motore diesel avviamento elettr. | Motor diesel electric starting | Dieselmotor Elektrostarter | Moteur diesel démarrage électr. | Motor diesel arranque electr. | Yanmar3TNE74 24HPa 3600g/1° 3 cylinders cooled to water |
| Capacità serbatoio | Tank capacity | Tankkapazität | Capacité réservoir | Capacidad tanque | 23 l. |
| Trazione idrostatica a 2 velocità | Drive system hydrostatics to 2 speeds | Hydrostatischer Antrieb mit 2 Geschwindigkeiten | Transmission hydrostatique à deux vitesses | Tracción hidrostática a 2 velocidades | Km/h 2,6 – 4,7 |
| Angolo di rampa | Ramp angle | Steigungswinkel | Rampe admissible | Rincòn de tramo | 30° |
| Cingoli in gomma | Tracks in rubber | Raupenketten aus Gummi | Chenilles en caoutchouc | Orugas de goma | 1850 x 250 x 20 mm. |
| Portata max | Max lifting | Max.Tragfähigkeit | Capacité maximum | Carga máxima | 2690 Kg. |
| Sbraccio massimo | Max working radius | Max.Ausladung | Longueur de flèche max | Alcance lateral máx. | 13,71 m. |
| Altezza massima | Max.working height | Tragfähigkeit bei max.Ausladung | Hauteur de levage max. | Altura max. de trabajo | 16 m. |
| Fune | Winch rope | Seil | Câble | Cable | 55 m. ø 8 mm. |
| Rotazione | Rotation | Umdrehung | Rotation | Rotación | 360° |
| Stabilizzatori | Outriggers | Abstützung | Stabilisateurs | Estabilizadores | Hydraulic multi position |
| Pressione al suolo | Max track loading | Bodendruck | Pression au sol | Presión de apoyo | 0,40 Kg/cm² |
| Comandi elettrico proporzionali | Electricals proportionals control | Elektrische proportionale Steuerung | Commandes électriques proportionnelles | Mandos eléctricos proporcionales | |
| Limitatore di momento | Automatic limiting device | Automatische Grenzlastregelung | Limiteur de charge | Limitador de momento | Elettronico – Electronic – Elektro-nisch - Électronique - Electrónico |
| Pressione max | Max pressure | Max Betriebsdruck | Pression max | Max presión | 230 bar |
| Dimensioni Gru | Dimensions crane | Abmessungen Kran | Dimensions de la grue | Dimensiones grúa | 3800 x 1300 x 2050 mm. |
| Peso | Weight | Gewicht | Poids | Peso | 3700 Kg. |

OPTIONALS

| | | | |
|--------------------------------------------------------------------------------------------------------------------------------------------------------------------------------------------------------------------|-----------------------------------------------------------------------------------------------------------------------------------------------------------------------------------------------------------------------------------------------------------------------------|-------------------------------------------------------------------------------------------------------------------------------------------------------------------------------------------------------|---------------------------------------------------------------------------------------------------------------------------------------------------------------------------------------------------------------------------------------------------------------------------|
|  <p>Verricello Winch Treuil Seilwinde Cabrestante</p> |  <p>Elettropompa 380 V Electric pump 380 V Pompe électrique 380 V Elektrische pumpe 380 V Bomba eléctrica 380 V</p> |  <p>Radiocomando Radio remote control Radiocommande Funkfernsteuerung Radiocomando</p> |  <p>Treatmento marino delle gru Marine treatment of the crane Traitement marin de la grue Maritime ausstattung des kranes Tratamiento especial marino de la grúa</p> |
|  <p>Prolunghe meccaniche Manuals extensions Rallonges manuelles Manuelle verlängerung Alargadores mecánicos</p> |  <p>Allargamento idraulico cingoli Widening hydraulic tracks Élargissement hydraulique des chenilles Hydraulisch ausfahrbare raupenketten Eсанche hidráulicas orugas</p> |  <p>Telecomando Cable remote control Télécommande Kabelfernsteuerung Control remoto para cable</p> |  <p>Cestello Basket Nacelle Personenkorb Cesta</p> |



Kegiom Lifting s.n.c. - Via Duchessa di Galliera, 12
15076 Ovada (AL) - Italy
Tel./Fax (+39) 0143 822031 - 46541
e-mail: info@kegiom.com - web: www.kegiom.com
C.F. e P. Iva 01956070062 - C.C.I.A.A. Alessandria n. 213887



Kegiom si riserva il diritto di apportare qualsiasi modifica senza preavviso nè responsabilità.
Kegiom reserves the right to make changes without prior notice or responsibility.